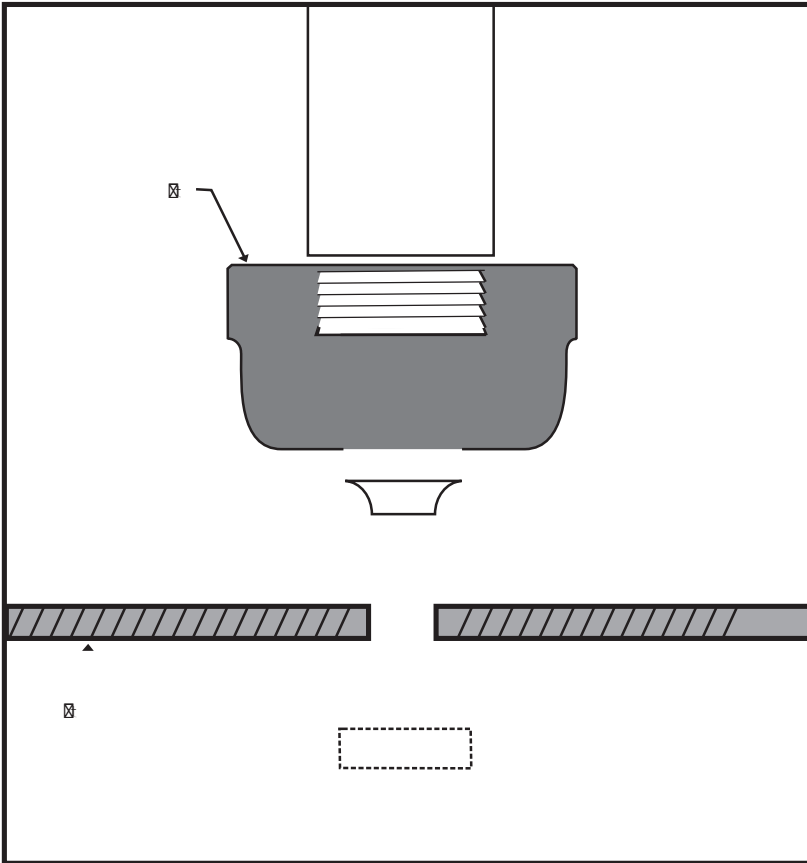


TYPICAL PUNCH SET-UP



Punch:

Die:

Stripping:

Ensure Long Life of Tooling:

WARNING

